



ac9 drawer unit

A drawer unit with concealed metal structure.

Shown here in walnut and cold-rolled steel.

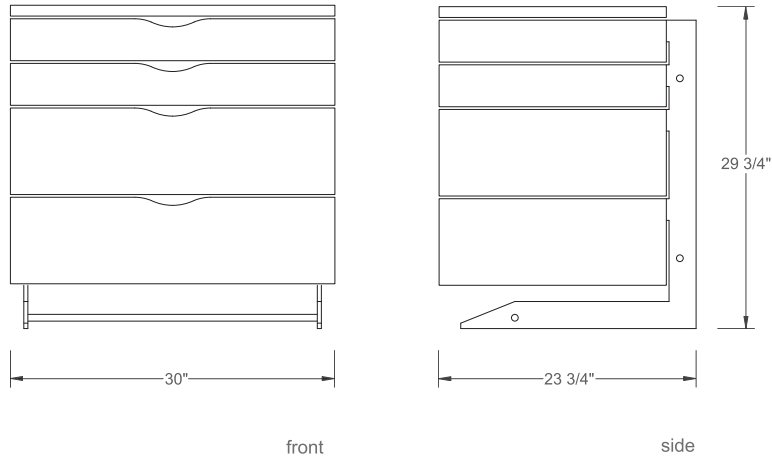
Photographs by Meredith Heuer



Atlas Industries
333 Douglass Street
Brooklyn, NY 11217-3115
718 596 5045
www.atlaseast.com

ac9 drawer unit

ac9-a four drawer unit



Description:

The ac9 drawer unit blurs the line between sculpture and furniture. Built around an internal metal structure, the drawers appear as volumes hovering in space.

Construction:

Solid hardwood, dovetail-joined drawer boxes
Solid cold-rolled steel bar support

Hardware:

90 lb. full extension self-closing drawer slides

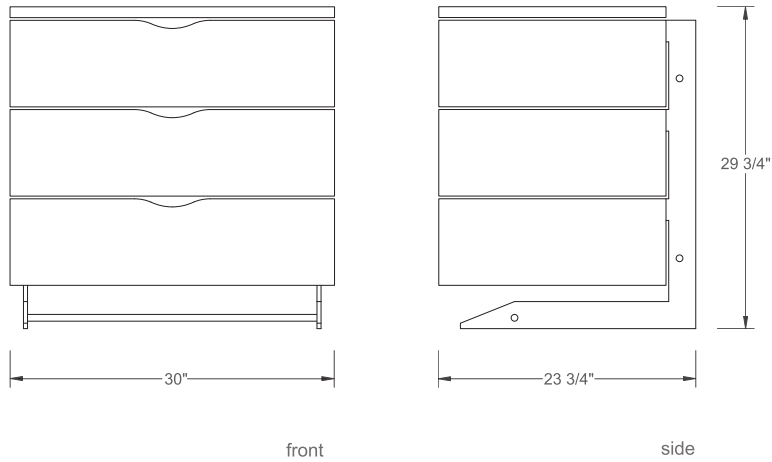
Finish:

Finish on all wood and metal parts is clear satin lacquer.

Customization:

Customization of dimensions, wood type, finishes and quantity of drawers is welcomed. Please inquire.

ac9-b three drawer unit



item	\$ walnut
ac9-a	\$9,600
ac9-b	\$8,800

Atlas Industries
333 Douglass Street
Brooklyn, NY 11217-3115
718 596 5045
www.atlaseast.com